

EMI-RFI FILTERS



RFI EMI, Power line, IEC INLET, Single Phase, Military, Aerospace, Medical, Telecom, High current, Power line and custom build EMI Filters are passive electronic devices provides the most diversified line of radio frequency interference suppression, electromagnetic compatibility in the industry.

MIRACLE filters control electromagnetic interference produced by electronic devices as computers, radio transmitters, receiver and such electrical equipment as motors, generators and switches etc.

GENERAL SPECIFICATION:

Operating Frequency: 50 / 60 Hz

Ambient temperature: 40°C

Climatic Category: 25/100/21

Hipot: 2.2KVDC

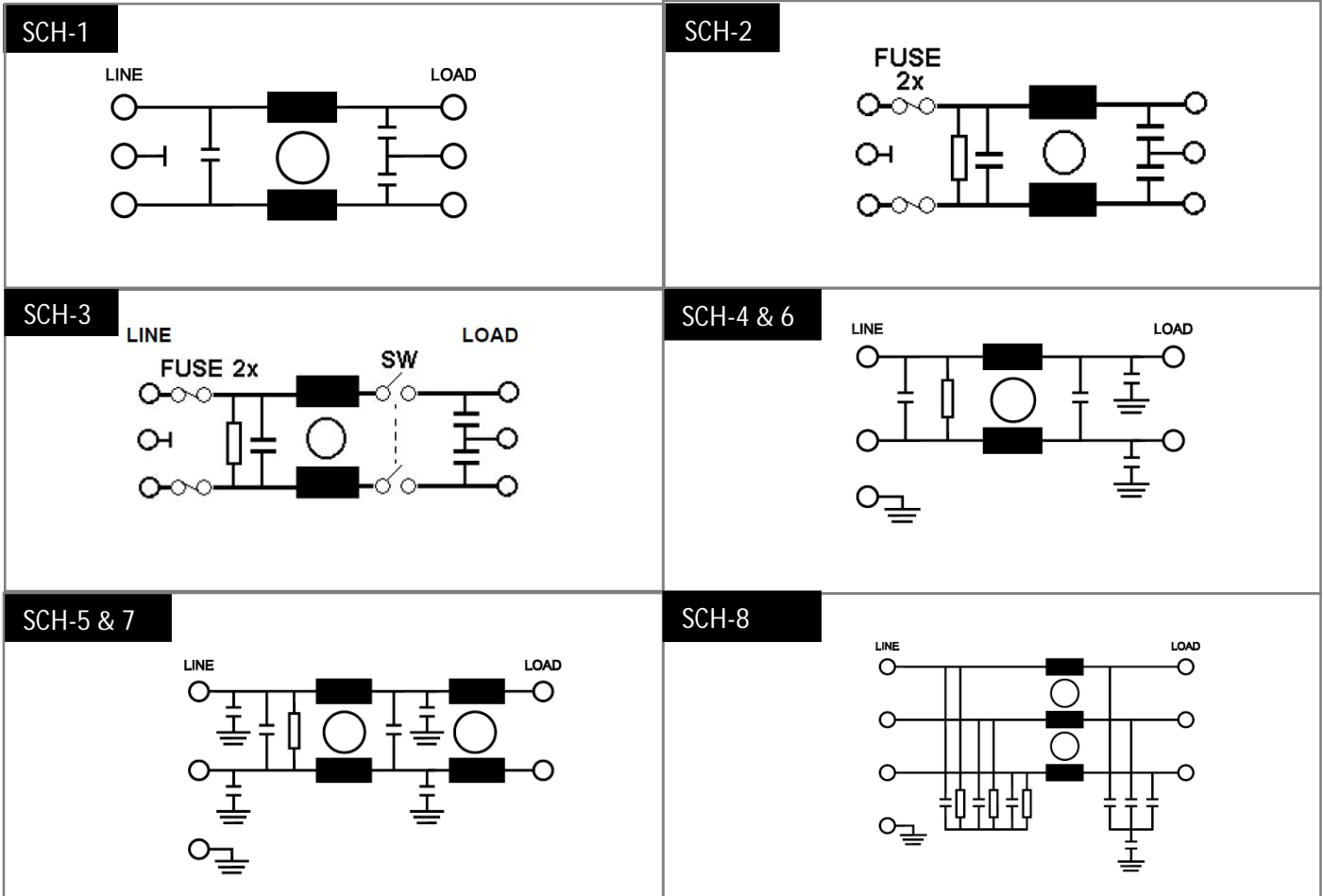
Terminals: QD= Quick disconnect, 6.35x0.8
S= Stud, M5, M6, M8, M10, Etc., W= Wires

PRODUCT MODEL DETAILS:

| Model | Voltage | Current | Terminal | Schematic | Mechanical |
|--------------|------------|-----------------|----------|-----------|------------|
| M-EMI-001-XX | 250VAC±10% | 1, 3, 6, 10 | QD | Sch. 1 | Fig 1 |
| M-EMI-002-XX | 250VAC±10% | 1, 3, 6, 10 | QD | Sch. 2 | Fig 2 |
| M-EMI-003-XX | 250VAC±10% | 1, 3, 6, 10 | QD | Sch. 3 | Fig 3 |
| M-EMI-004-XX | 250VAC±10% | 1, 3, 6, 10 | QD | Sch. 4 | Fig 4 |
| M-EMI-005-XX | 250VAC±10% | 1, 3, 6, 10 | QD | Sch. 5 | Fig 5 |
| M-EMI-006-XX | 250VAC±10% | 1, 3, 6, 10, 50 | S-M5 | Sch. 6 | Fig 6 |
| M-EMI-007-XX | 250VAC±10% | 1, 3, 6, 10 | S-M5 | Sch. 7 | Fig 7 |
| M-EMI-008-XX | 480VAC±10% | 1, 3, 6, 10 | S-M5 | Sch. 8 | Fig 8 |

XX-Current Rating Ex. M-EMI-001-03: 3 Amps

SCHEMATIC:



MECHANICAL: ALL DIMENSIONS ARE IN MM

FIG-1

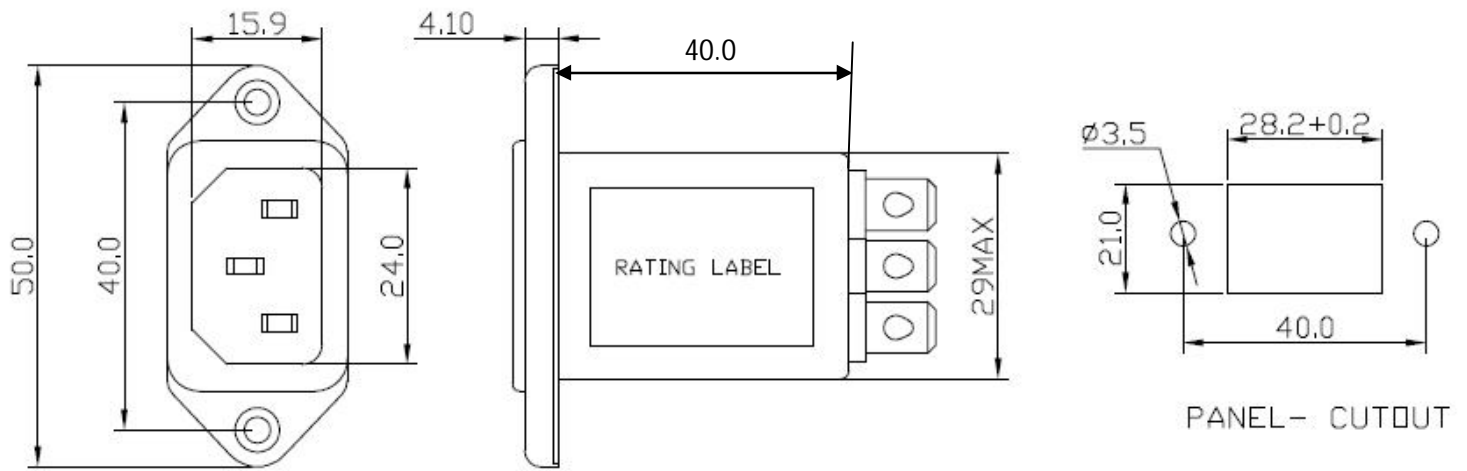


FIG-2

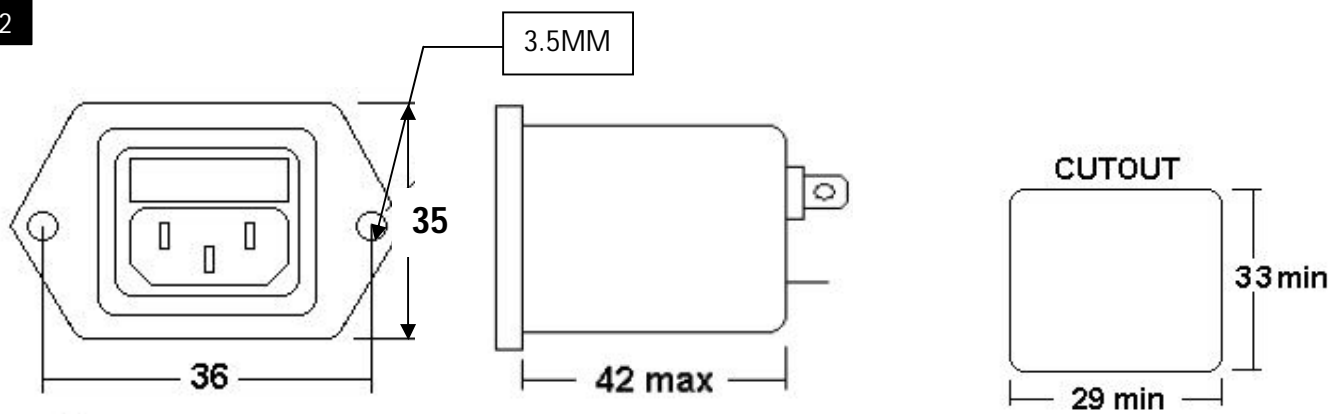
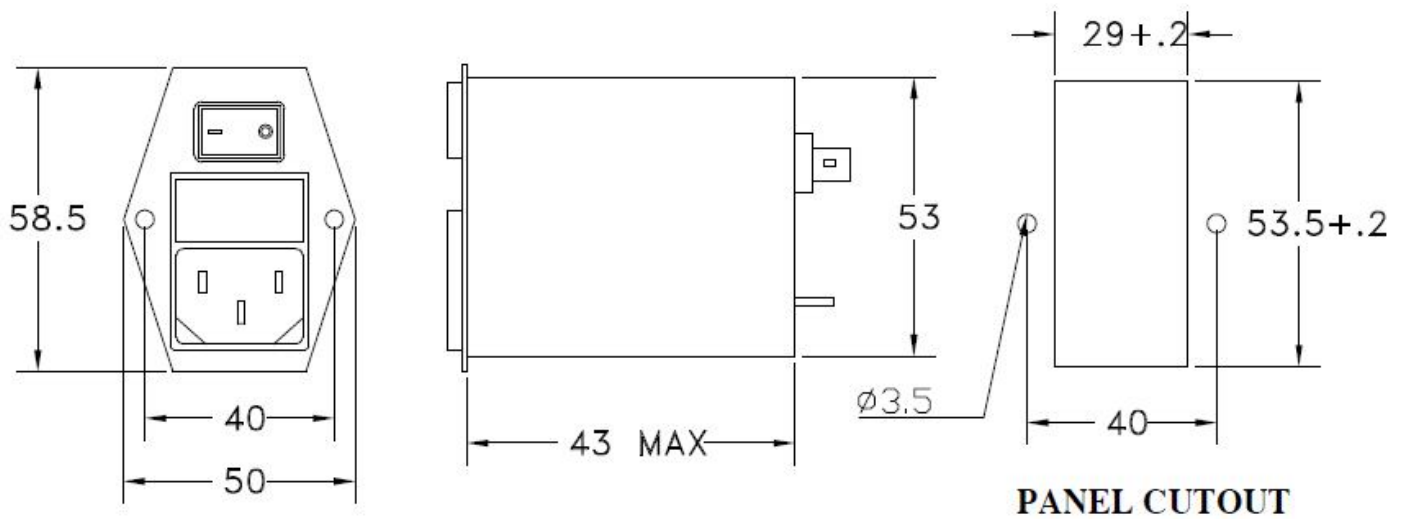
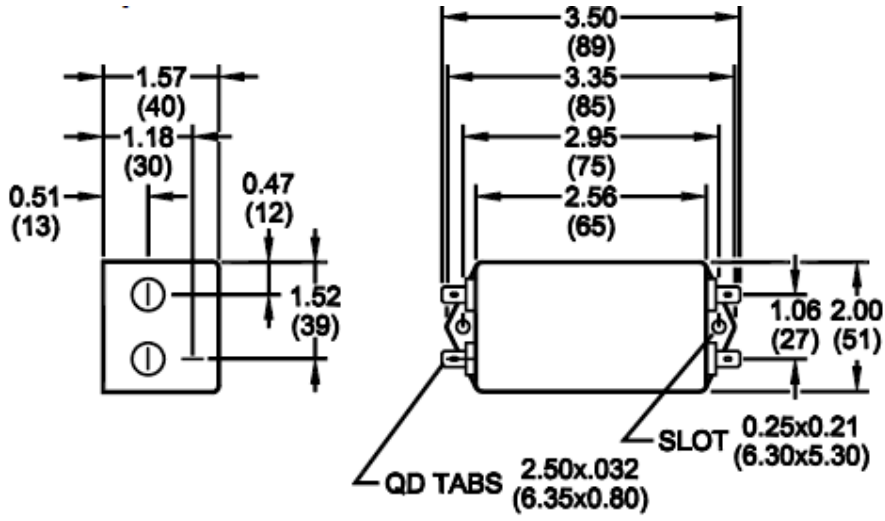


FIG-3

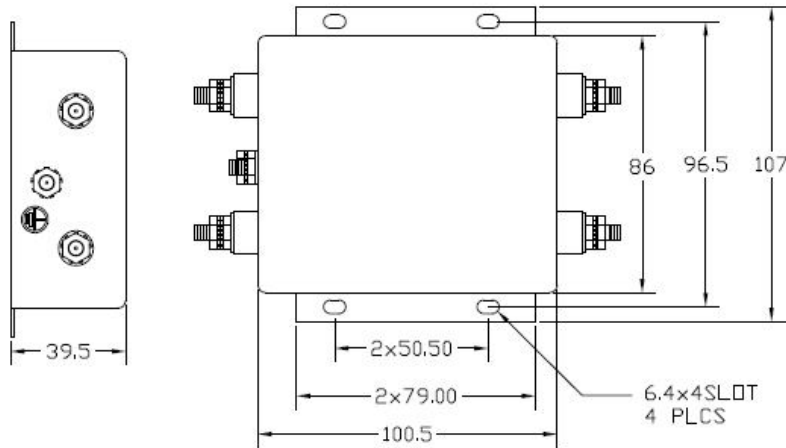


MECHANICAL: ALL DIMENSIONS ARE IN MM

SCH-4 & 5



SCH-6 & 7



SCH-8

